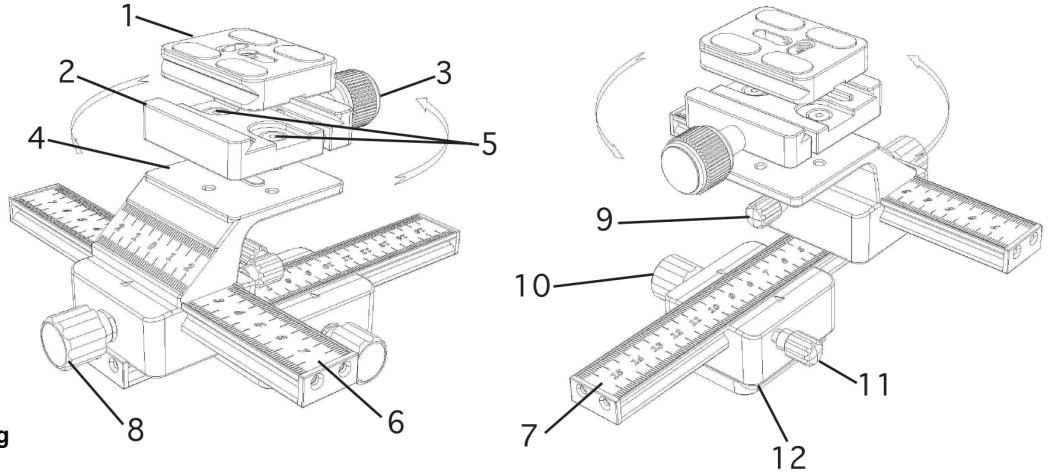


MR1 *Macro* Focusing Rail

Congratulations on your purchase of the **ProMaster MR1 Macro Focusing Rail**. With it you can precisely position your camera for perfect framing of the subject. Used in combination with a true macro lens, the rail will also aid in focusing. The following instructions will help you properly set up the rail and understand its quick release system and basic movement controls. You can also use the scales and center point markers on the focusing rail for a variety of purposes including positioning of the lens nodal point, panoramic photography, copy work, and more.

- 1 Dovetail quick release plate
- 2 Quick release receiver
- 3 Quick release receiver clamping knob
- 4 Focusing rail top plate
- 5 Quick release receiver lock-down screw holes
- 6 X axis scale
- 7 Y axis scale
- 8 X axis control knob
- 9 X axis lock-down knob
- 10 Y axis control knob
- 11 Y axis lock-down knob
- 12 Focusing rail base

Kit also includes two mounting screws and one Allen wrench



Mounting the focusing rail to a tripod

Turn over the focusing rail and look at the base (12). You will find two ways of mounting the focusing rail to a tripod. A traditional 1/4-20" threaded mounting hole is located in the base. It is compatible with most tripods and tripod heads. Also notice the angled channels machined into the sides of the base. This dovetail mount is compatible with most tripod heads using an arca-swiss type system. If you have a tripod with this type of quick release system, simply slide the focusing rail onto your tripod head's receiver and lock it in with the appropriate knob or lever on the head.

Always mount the focus rail to a tripod BEFORE attaching your camera to the focus rail.

Attaching and adjusting the quick release receiver

The quick release receiver (2) is mounted to the focusing rail top plate (4) using the two included screws and Allen wrench, positioning the screws in the two lock-down screw holes (5). Position the receiver over the top plate in any of four possible orientations. You can position the receiver to allow your camera to slide on in a front-to-back direction or in a side-to-side direction. You can also position the receiver so the clamping knob (3) is in the most advantageous position.

Attaching your camera to the focus rail

Screw the included dovetail quick release plate (1) into the 1/4-20" connection hole on the bottom of your camera and tighten. You may orient the quick release plate to allow the camera to mount in a front-to-back sliding direction or side-to-side. Now attach your camera to the focusing rail by sliding the QR plate into the QR receiver. Use the clamping knob (3) to securely tighten the camera to the rail.

Using the controls to operate the focusing rail.

Loosen the X axis lock-down knob (9) and then rotate the X axis control knob (8) either direction to move your camera side to side. Do the same with the Y axis lock-down knob (11) and Y axis control knob (10) to achieve a front-to-back movement. **For best results tighten the lock-down knobs before taking a picture.**

One-Year Unconditional Guarantee

If for any reason, this ProMaster product fails within ONE YEAR of the date of purchase, return this product to your ProMaster dealer and it will be exchanged for you at no charge. ProMaster products are guaranteed for ONE FULL YEAR against defects in workmanship and materials. If at any time after one year, your ProMaster product fails under normal use, we invite you to return it to ProMaster for evaluation.